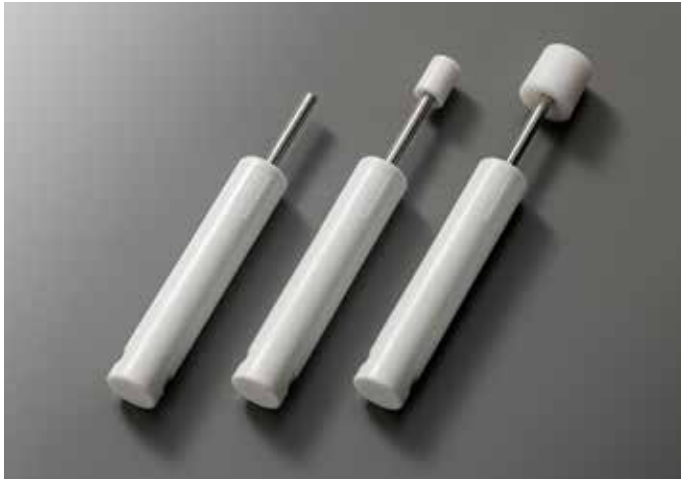


# Soft Absorber

## FPD-1018 Series

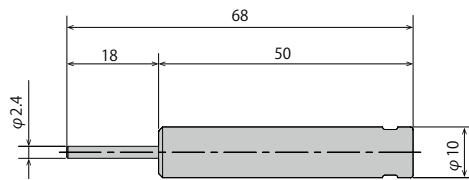


### Model Description

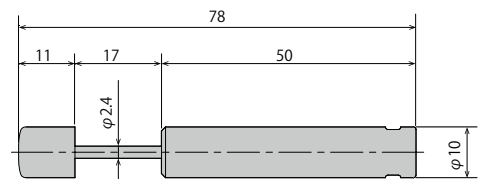
FPD - 10 18 A 15 - S W  
 ①                      ②                      ③                      ④                      ⑤                      ⑥

- ① Series name
- ② External diameter
- ③ Stroke
- ④ Symbols indicating characteristics  
 A15 : Low-load specifications  
 A20 : High-load specifications
- ⑤ Symbols indicating form  
 S : S type (Standard)  
 C : C type (Cap)  
 R : R type (Elastomer cap)  
 \* Please refer to the external dimensions.
- ⑥ Symbols indicating color      W : White

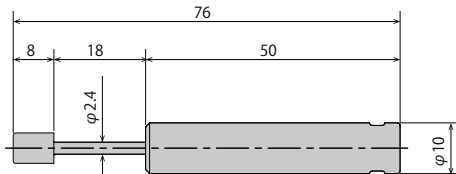
## External Dimensions



FPD-1018A□-SW (S type)



FPD-1018A□-RW (R type)



FPD-1018A□-CW (C type)

## Specifications

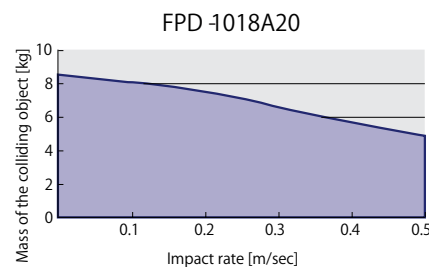
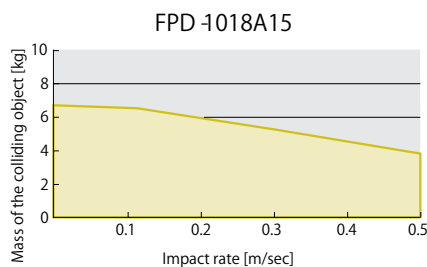
MODEL	Max absorption energy J(kgf·m)	Impact speed range m/s	Cylinder cap color
FPD-1018A15	1.2 (0.12)	0.5 or lower	Brown
FPD-1018A20	1.5 (0.15)	0.5 or lower	Gray

\* For the motion-time of each load, please see the next page.

## Common Specifications

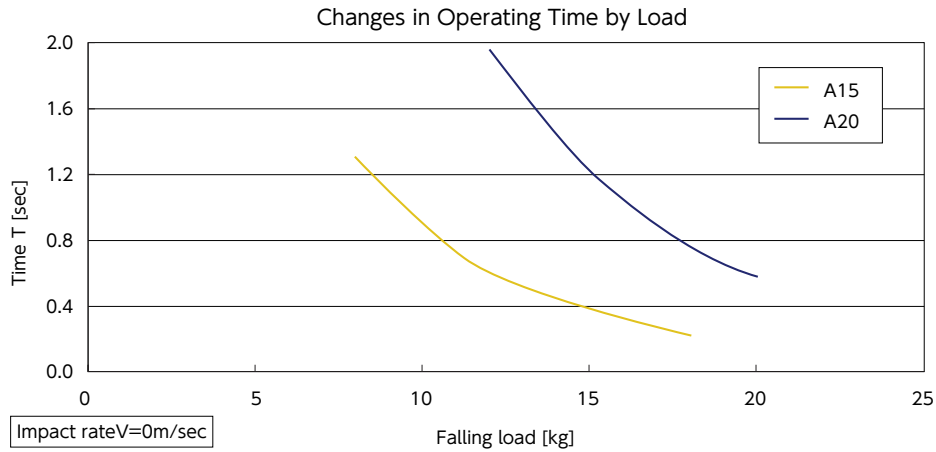
Stroke (S/C type)	mm	18	Mass	g	S type = 6.1, C type = 6.6, R type = 7.3
Stroke (R type)	mm	17	Main unit material		Resin
Recovering power of piston rod	N(kgf)	6(0.6) or lower	Range of operating temperature, degrees	°C	5~40

## Graph of Impact Rate/Mass of Colliding Object Under the Condition of Free Fall



●Products specification might be changed without notice.

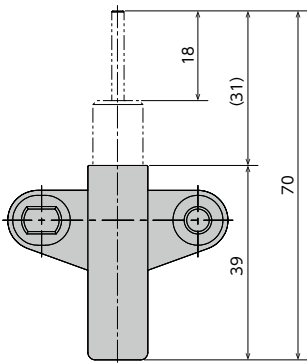
## Graph of Operating Time by Load



## Optional Parts

OP-200-01B/W

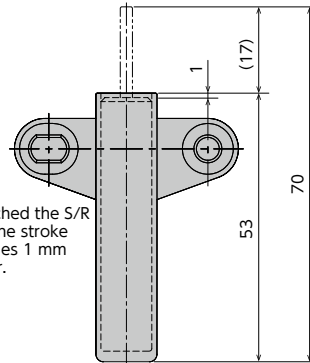
MODEL
OP-200-01B
OP-200-01W



Screw used: M4 (truss screw)  
Recommended tightening torque: 0.5 N·m

OP-200-02B/W

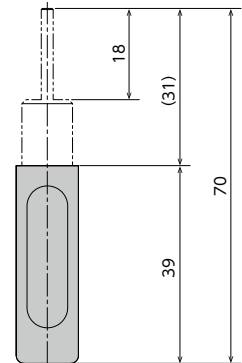
MODEL
OP-200-02B
OP-200-02W



Screw used: M4 (truss screw)  
Recommended tightening torque: 0.5 N·m

OP-200-03B/W

MODEL
OP-200-03B
OP-200-03W

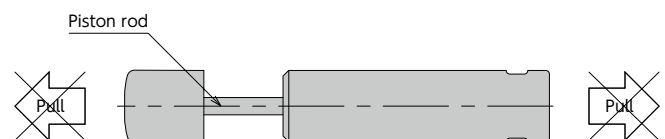


Screw used: M3 (countersunk screw)  
Recommended tightening torque: 0.3 N·m

- The diagram indicates the mounting dimensions of the adaptor for the FPD-1012 series used in combination with the FPD-1018S type.
- For the details of the adaptor specifications, please see the pages of the FPD-1012 series.

## Precautions for Use

- \* Use with an external stopper.
- \* Ensure that sufficient mounting strength is secured for this product.
- \* 2 or more of this product can be used in parallel.
- \* Do not use this product in a vacuum or a location where it may come in contact with oil.
- \* Ensure that an eccentric load is not applied to the soft absorber.
  - S/C/R type ••• Allowable eccentric angle:  $\pm 2.5^\circ$  or less
- \* Do not pull the piston rod of the soft absorber.



- (This will cause air to get inside the soft absorber, causing ineffective stroke, abnormal sounds, and other damage to the soft absorber.)
- ※When the gap between the pressing time and the returning time of the piston rod is large, the durability may be affected. Confirm its performance in an actual machine before use.