

# Soft Absorber

## FPR-1040 Series



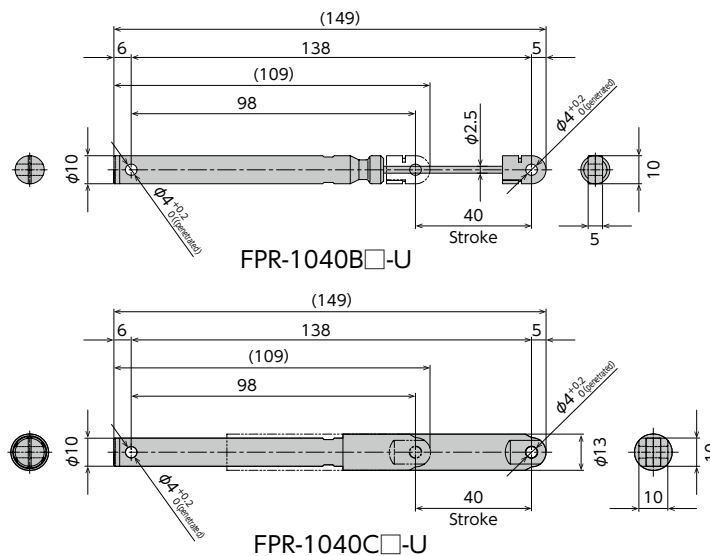
### Model Description

**F P R - 1 0 4 0 B 1 - U**

①                      ②                      ③                      ④                      ⑤                      ⑥

- ① Series name
- ② External diameter
- ③ Stroke
- ④ With/Without cover    B : Without cover  
  C : With cover
- ⑤ Symbols indicating characteristics
  - 1 : Low-load (low thrust) specifications
  - 2 : Medium-load (medium thrust) specifications
  - 3 : High-load (high thrust) specifications
- ⑥ Symbols indicating form    U : With crevice

## External Dimensions



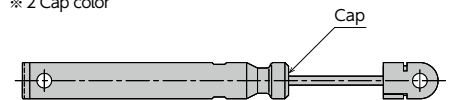
## Specification

Model	Measuring speed [m/sec]	Resistance [N] <sup>※1</sup>	CAP COLOR <sup>※2</sup>
FPR-1040□1-U	0.04	30	Black
FPR-1040□2-U	0.04	45	White
FPR-1040□3-U	0.04	60	Gray

※ 1 The resistance generated is a reference value according to our measurement conditions.

● □ will be filled in with either B or C

※ 2 Cap color

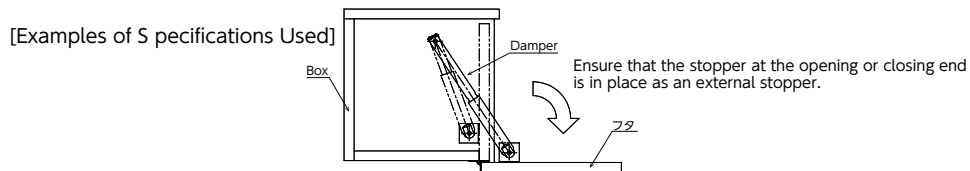
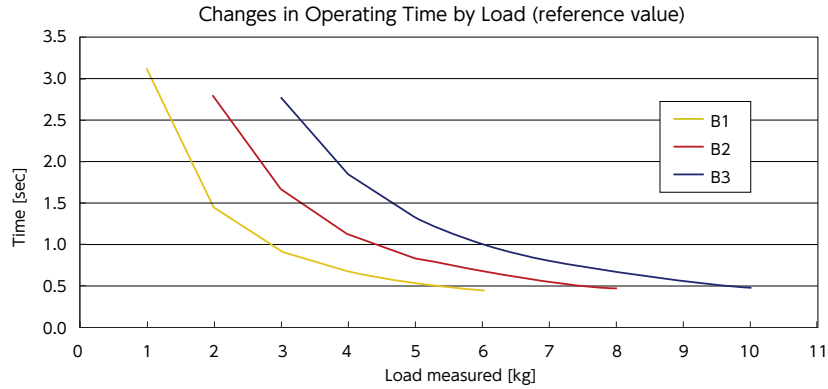


## Common Specification

Stroke[mm]	40
External diameter[mm]	φ10
Mass[g] (reference value)	FPR-1040B-U=11.6, FPR-1040C-U=14.2
Main unit material	Resin
Operating temperature[°C]	5~40

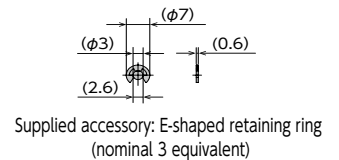
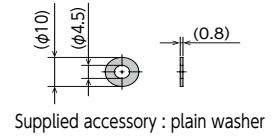
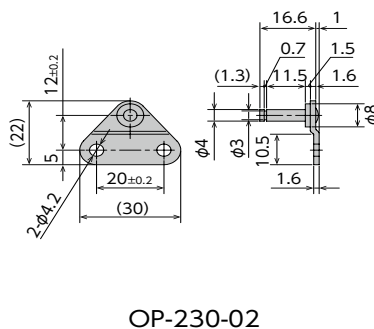
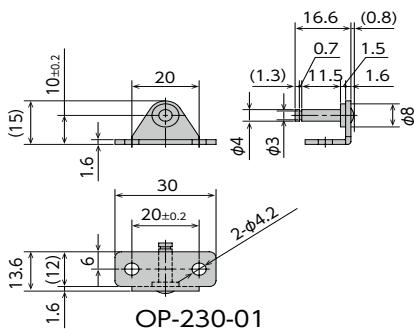
●Products specification might be changed without notice.

## Graph of Operating Time by Load



## <Optional Parts

Model
OP-230-01
Model
OP-230-02



- Exclusive mounting fixture for FPR
- Facilitates the absorber mounting.
- A plain washer and E-shaped retaining ring are supplied to OP-230-01 and OP-230-02 each.
- Material: Metal

## Precautions for Use

- \* The soft absorber generates the drag in the drawing direction.
- \* Unusable to generate the resistance in the pushing direction.
- \* Use with an external stopper.
- \* Ensure that sufficient mounting strength is secured for this product.
- \* 2 or more of this product can be used in parallel.
- \* Do not use this product in a vacuum or a location where it may come in contact with oil.
- \* Ensure that an eccentric load is not applied to the soft absorber.
- \* Do not pull the soft absorber beyond the stroke used. (This will cause the damage or failure of the soft absorber.)
- \* Do not press the soft absorber in beyond the stroke used. (This will cause the damage or failure of the soft absorber.)
- \* When the gap between the pressing time and the returning time of the piston rod is large, the durability may be affected. Confirm its performance in an actual machine before use.
- \* For the products with cover, do not pull the cover part. When you need to pull the product, insert a rod into the  $\phi 4$  through hole and pull the product by holding the rod.

