

Helical Vibration Absorber

FH10024

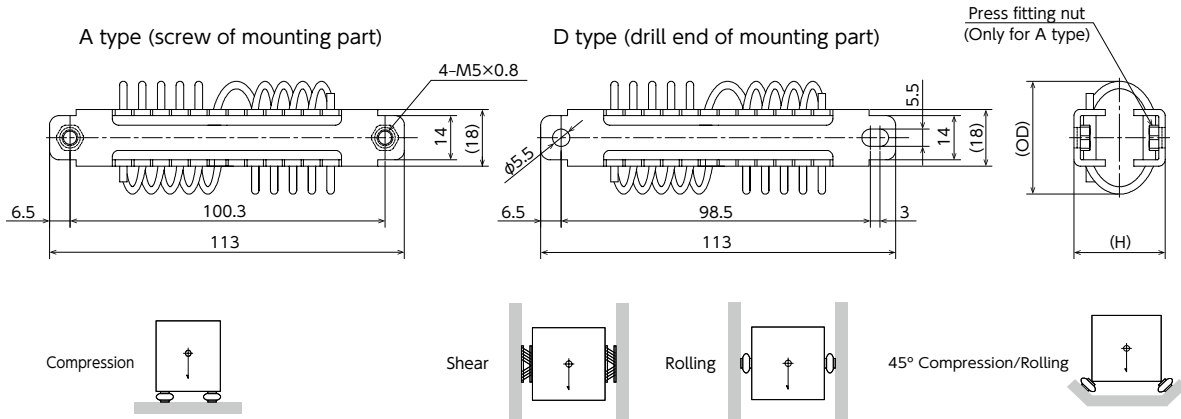
RoHS Compliant

●Products specification might be changed without notice.



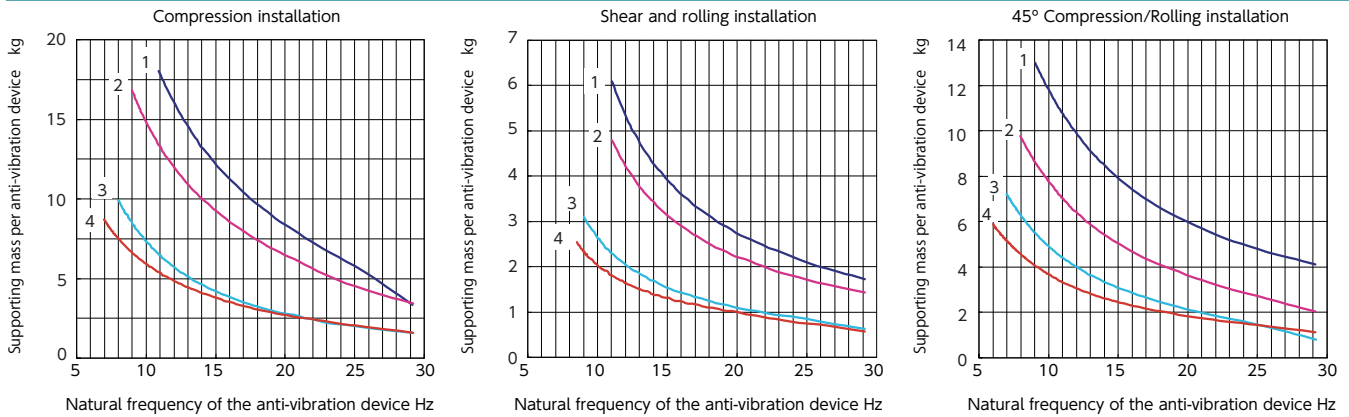
Specifications

Model	H mm	OD mm	Mass g	Max. flex mm		
				Compression	Shear and rolling	45° Compression /Rolling
FH10024-1	28.8	37.8	102	7.4	10.2	10.5
FH10024-2	30.0	41.5	105	8.9	12.7	12.6
FH10024-3	35.2	46.1	108	13.9	15.2	19.7
FH10024-4	39.7	51.7	112	18.3	20.3	25.9



Installation Method

Vibration Selection Graph



Impact Selection Graph

